

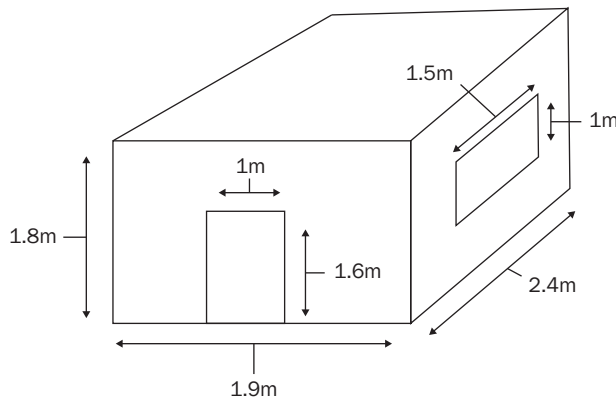
## Activity 6: Bedroom makeover

### Painting a bedroom

You need to decorate and furnish a bedroom. It is the shape of a cuboid.

It has length 2.4m, width 1.9m and height 1.8m.

It has a door width 1m and height 1.6m and a north-facing window width 1.5m and height 1m.



How many litres of paint will you need to buy to give the walls and ceiling three coats of paint, if the coverage is  $13\text{m}^2$  per litre? (Do not paint the door or window.) Give your answer to the nearest litre.

✂ .....

### Furnishing a bedroom

You need to furnish a bedroom.

You buy a bed, a wardrobe and a chair in the sale.

The original prices were:

Bed £340.00

Wardrobe £289.00

Chair £85.00

**BIG SALE**

The sale price is 30 per cent off the original price.

The shop offers an interest-free deal of 15 per cent deposit and six regular monthly payments.

Work out the cost of the deposit and each monthly payment. Show all your working.